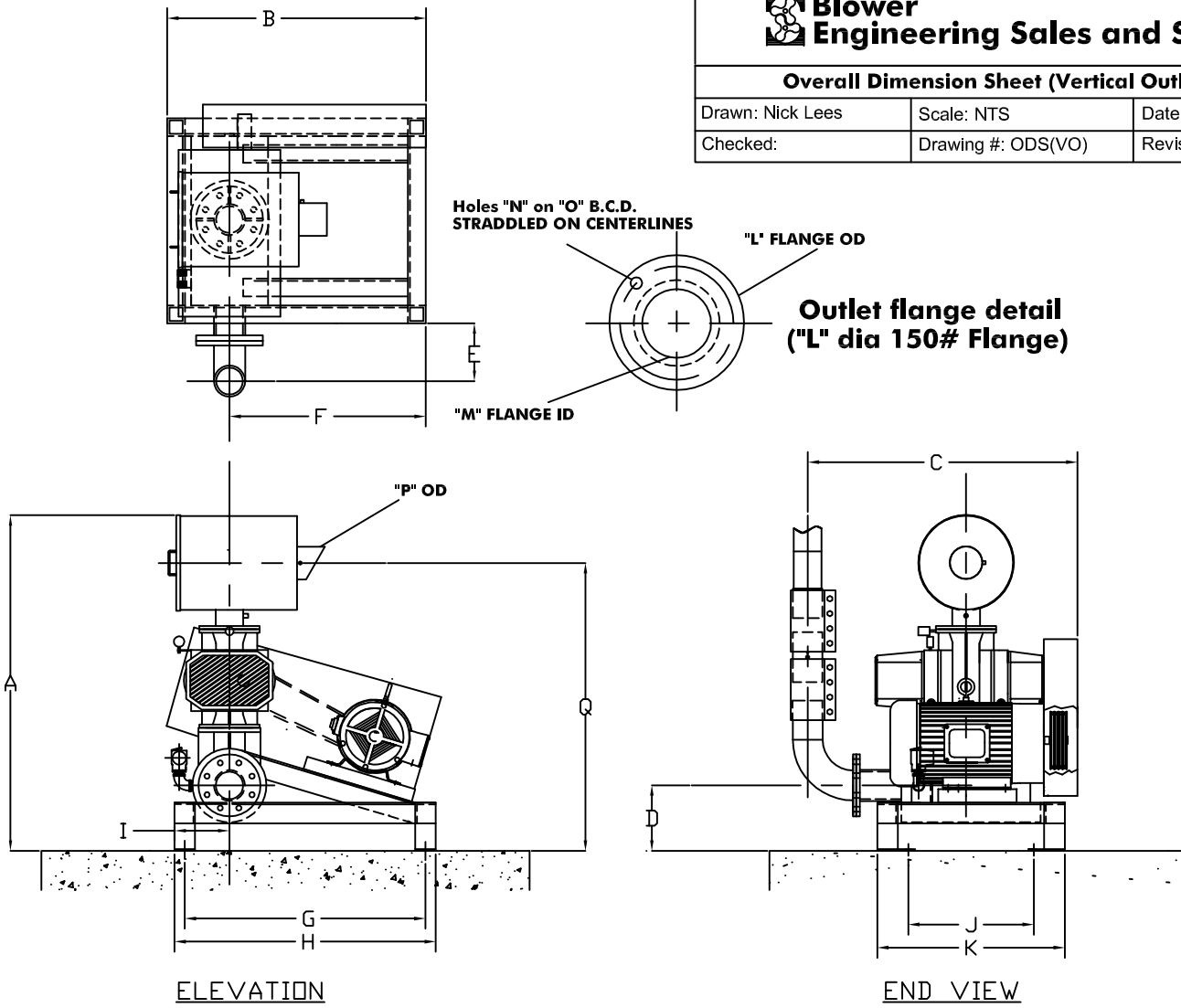


**Overall Dimension Sheet (Vertical Outlet)**

Drawn: Nick Lees	Scale: NTS	Date: Aug. 22, 2010
Checked:	Drawing #: ODS(VO)	Revision:



NOTE: DIMENSIONS IN INCHES

MODEL	A	B	C	D	E	F	G	H	I	J	K	L	M	N	O	P	Q
TL10	48.5	32	29.5	9	6.5	22	27	29	7	17	23	7.5	3	.75	6	3	38
TL20	48	32	29.5	9	6.5	22	27	29	7	17	23	7.5	3	.75	6	4	37.5
TL30	50	32	29.5	9	6.5	22	27	29	7	17	23	7.5	3	.75	6	4	39.25
TL40	50	32	29.5	9	6.5	22	27	29	7	17	23	7.5	3	.75	6	4	39.25
TL41	52	40	36	9.5	8	30	35	38	8	17.75	27.25	9	4	.75	7.5	5	41.75
TL50	53	40	35.25	9.5	8	30	35	38	8	17.75	27.25	9	4	.75	7.5	5	43
TL60	53	40	36.25	9.5	8	30	35	38	8	17.75	27.25	9	4	.75	7.5	5	43
TL61	64	49	45	11	9.5	35	42	46	11	22.5	34	10	5	.875	8.5	6	50.75
TL70	68	49	43	11	9.5	35	42	46	11	22.5	34	10	5	.875	8.5	6	54.75
TL80	68	49	46	11	9.5	35	42	46	11	22.5	34	10	5	.875	8.5	8	54.75
TL81	68	49	47.25	11	9.5	35	42	46	11	22.5	34	10	5	.875	8.5	8	54.75
TL90	70	49	46	11	9.5	35	42	46	11	22.5	34	10	5	.875	8.5	8	56.75
TL100	79	60	53	12.25	10.5	43	51	56	13	27	40	11	6	.875	9.5	10	62.75
TL101	79	60	56.625	12.25	10.5	43	51	56	13	27	40	11	6	.875	9.5	10	62.75
TL110	84	60	52.5	12.25	10.5	43	51	56	13	27	40	11	6	.875	9.5	10	67.75
TL120	88.5	68	66.25	15	13.5	46	55	60	14	31	45	13.5	8	.875	11.75	12	72
TL900	117	86	72	17	14.25	54	66	72	18	32.75	48.75	13.5	8	.88	11.75	14	91.75